

ES2000 SERIES PRESSURE SENSING SWITCHES

Endura Plastics, Inc. introduces the ES2000 series ultra sensitive pressure switch. Using proven design and materials, Endura now offers a cost effective, high quality pressure switch. The electronics are provided by an external snap acting switch with a variety of terminal selections. The body of the sensor is molded with high quality polycarbonate and accommodates a wide range of brackets and mounting methods. Research, environmental testing, and years of industry experience have provided the foundation for this effective product design.

Endura provides a high quality product that is suited to the customer's specific application. Flexible manufacturing methods result in the capability to offer numerous options from standard components. Lean manufacturing technology facilitates short lead times that allow customers to maintain reduced inventory levels, while ensuring on time deliveries.

Typical Applications:

- Detect blockage in gas combustion system appliances
- Detect condensate drain blockage; fluid build up
- Draft inducer verification
- Proof of fan operation
- Blocked filter proving with change in differential pressure
- Energy management systems in VAV

Set points are available from 0.05 to 5.00" W.C. with narrow switch differential.

Standard Features:

- Small footprint
- Low pressure sensitivity
- Integrated sample line connectors
- -40 to 190 F (-40 to 88 C) operating temperature range

Optional Features:

- SPDT or SPST snap acting electronic switches
- 1/4, 3/16 (4 and 6mm) or mixed dedicated terminals
- Gold electrical contacts for low electrical loads
- Numerous mounting brackets and the ability to direct mount
- Flow restricting orifices
- Bleed hole to aspirate sample line

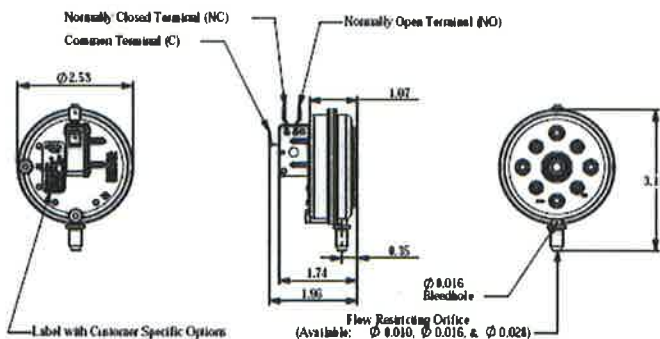
Electrical Ratings

SPDT, SPST Electrical Load:

- 1/10 HP @ 120 to 277 VAC
- 28 VA Pilot Duty @ 24 VAC
- 125 VA Pilot Duty @ 120 VAC

Gold Contacts:

- 0.15A Resistive @ 24 VAC or 24 VDC



File No: MH29434



ISO 9001:2000